



ITM-9654FTL(TCP)

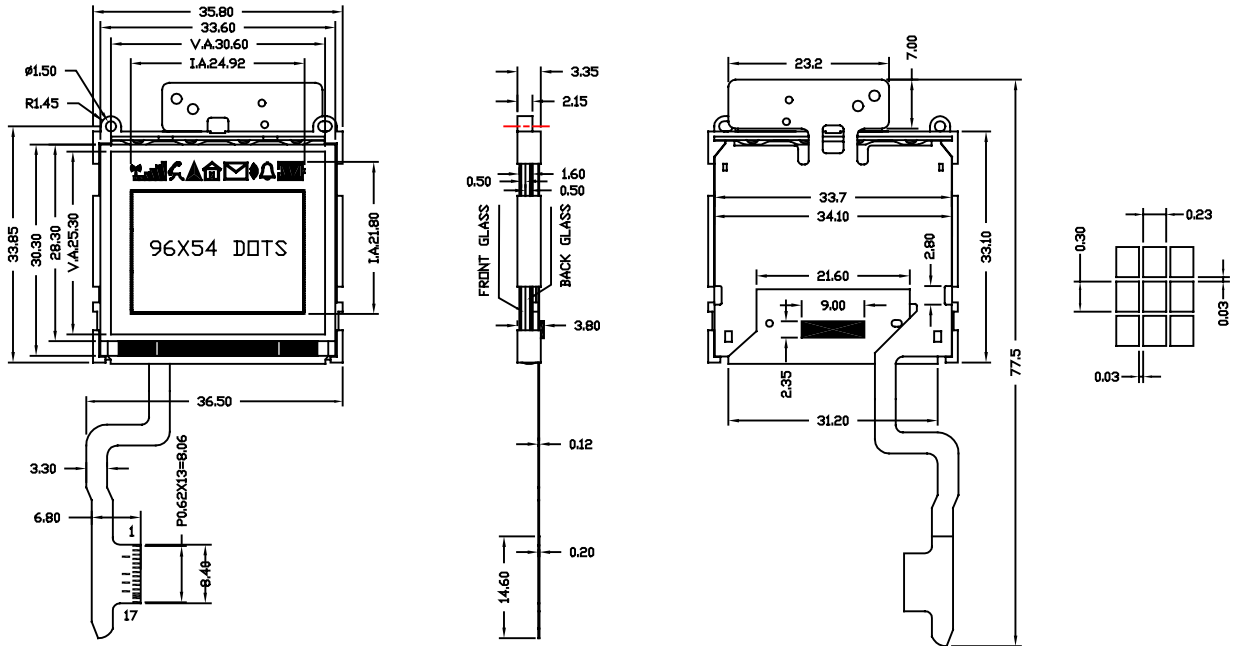
INTECH LCD (SHEN ZHEN) CO.,LTD

VER A0 FILE NO IT-III-ED-004

REV.NO 01 SHEET 1 OF 1

DATE 27 DEC. 99

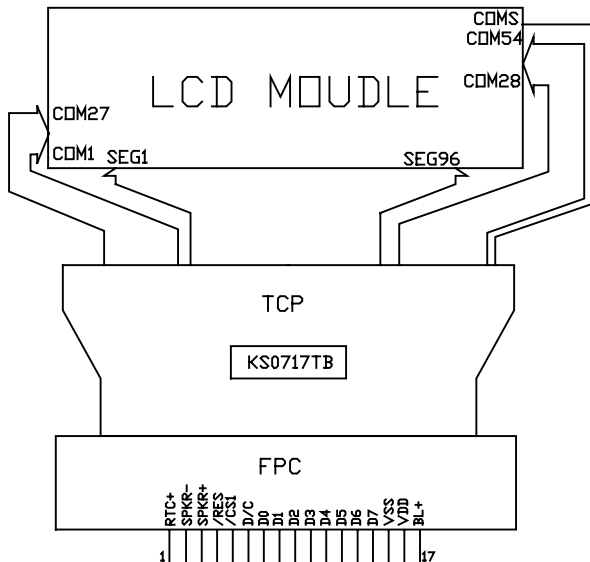
① EXTERNAL DIMENSION



② MECHANICAL DATA

ITEM	SPECIFICATION	UNIT
Module Size (W X H X T)	36.50X77.50X3.80	mm
Viewing Area (W X H)	30.60X25.30	mm
Internal Area (W X H)	24.93X21.80	mm
Dot Size (W X H)	0.23X0.30	mm
Dot Pitch (W X H)	0.26X0.33	mm
Number of dots (W X H)	96x54	dots

④ BLOCK DIAGRAM



③ PIN CONFIGURATION

ITEM	SYMBOL	DESCRIPTION
1	RTC+	Real time clock anode
2	SPKR-	Speaker cathode
3	SPKR+	Speaker anode
4	RES	Reset signal input
5	CS1	Chip select inputs
6	D/C	Control/display data input control flag
7	D0	Data bus
8	D1	
9	D2	
10	D3	
11	D4	
12	D5	
13	D6	
14	D7	
15	VSS	GND
16	VDD	Power supply pin
17	BL+	Back light anode

NOTE:

- ALL DIMENSION ARE IN mm
- GLASS THICKNESS:
FRONT -- 0.55
BACK -- 0.55
- VIEWING ANGLE: 6 O'CLOCK
- FLUID SPECIFICATION:
MULTIPLEX LEVEL -- 1/55 DUTY 1/8 BIAS
DRIVING VOLTAGE: VDD=2.8V VLCD=9.8V
OPERATING TEMPERATURE: -10°C TO 65°C
STORAGE TEMPERATURE: -20°C TO 65°C
- FSTN LCD AND TRANSFLECTIVE