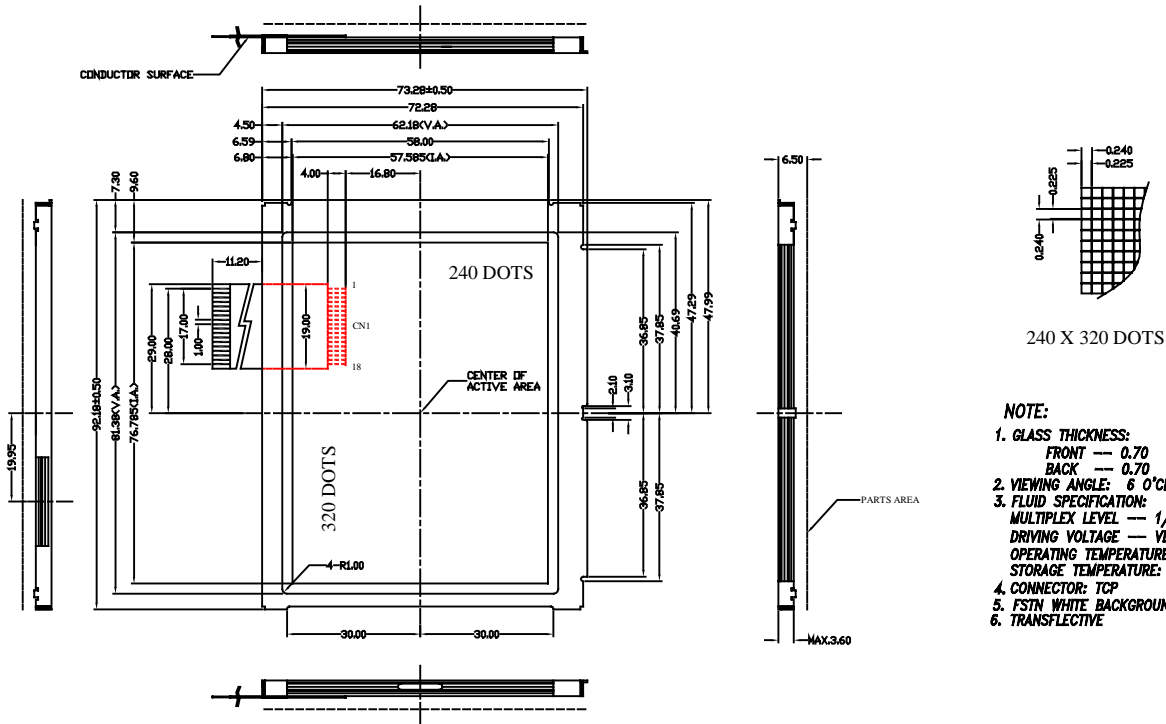


① EXTERNAL DIMENSION



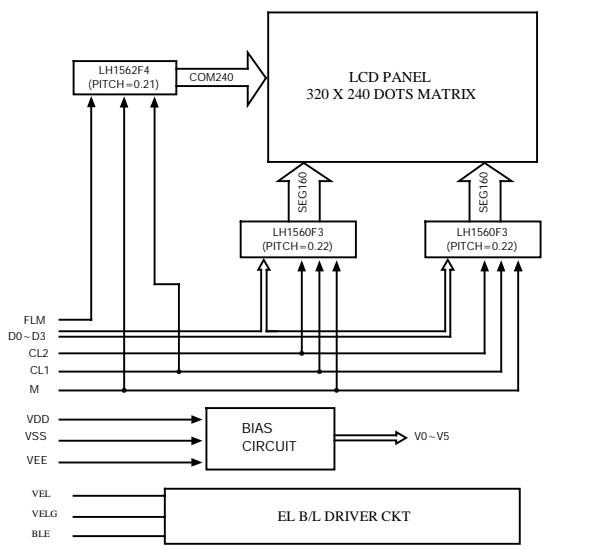
② MECHANICAL DATA

ITEM	SPECIFICATION	UNIT
Module Size (W X H X T)	73.28 X 92.18 X 6.5	mm
Viewing Area (W X H)	62.18 X 81.38	mm
Internal Area (W X H)	57.585 X 76.785	mm
Dot Pitch (W X H)	0.24 X 0.24	mm
Dot Size (W X H)	0.225 X 0.225	mm
Dots of Number	320 X 240	Dots

③ PIN CONFIGURATION

ITEM	SYMBOL	DESCRIPTION
1	CL2	Data shift clock signal
2	CL1	Data latch signal
3	FLM	First line marker
4	M	Alternate signal
5	D0	Display data
6	D1	
7	D2	
8	D3	
9	VEE	Voltage For LCD PANEL Drive
10	VDD	Power Positive
11	VSS	Power GND
12	BLE	H: EL Enable ; L : EL disable
13	VELG	Power Supply for EL (GND,0V)
14	VEL	Power Supply for EL (+)
15~18	NC	No connection

④ BLOCK DIAGRAM



⑤ ABSOLUTE MAXIMUM RATINGS (25°C)

PARAMETER	SYMBOL	MIN.	MAX.	UNIT
Supply Voltage Logic	VDD	-0.3	+7.0	V
Supply Voltage Driver	V _{LCD}	-0.3	+30	V
Input Voltage	V _i	-0.3	V _{DD} +30	V