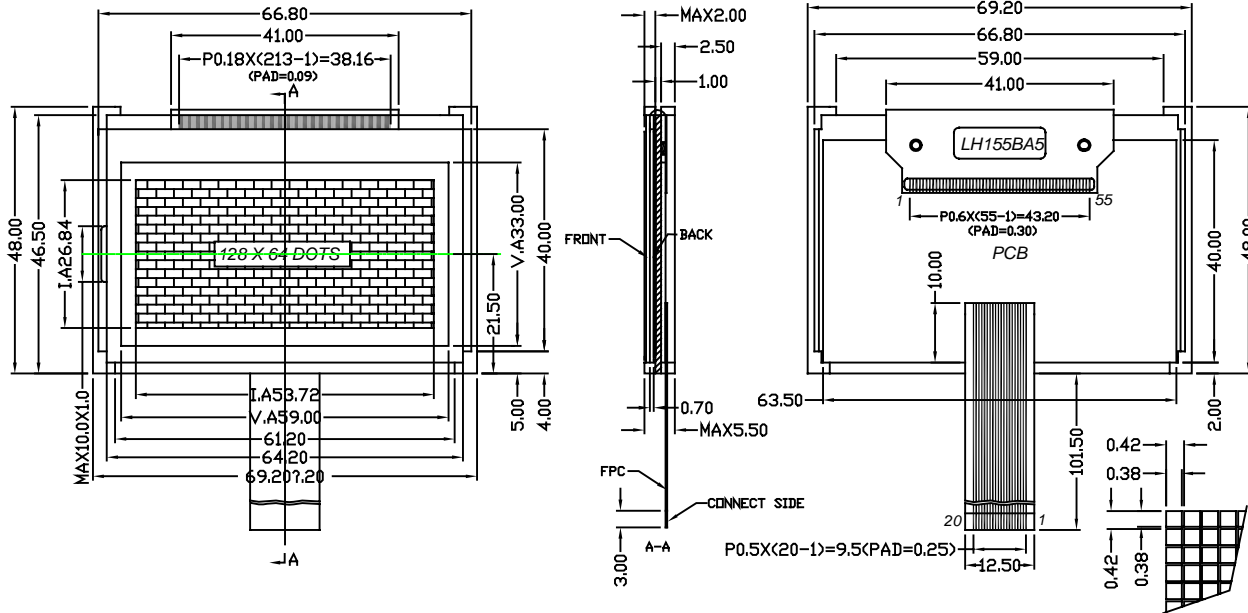


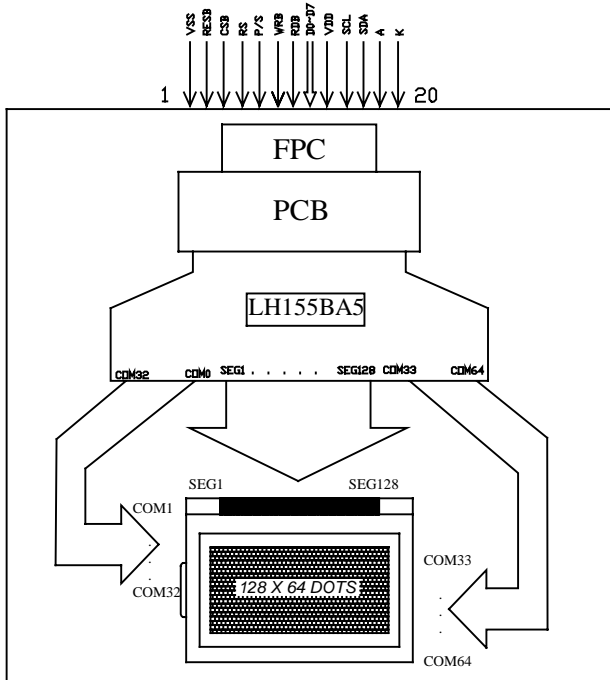
① EXTERNAL DIMENSION



② MECHANICAL DATA

ITEM	SPECIFICATION	UNIT
Module Size (W X H X T)	69.20 X 48.00 X 5.50	mm
Viewing Area (W X H)	59.00 X 33.00	mm
Internal Area (W X H)	53.72 X 26.84	mm
Dot Pitch (W X H)	0.42 X 0.42	mm
Dot Size (W X H)	0.38 X 0.38	mm
Number of Dots (W X H)	128X 64	dots

④ BLOCK DIAGRAM



③ PIN CONFIGURATION

ITEM	SYMBOL	DESCRIPTION
1	VSS	Ground
2	RESB	Reset input pin
3	CSB	Chip select input pin
4	RS	Identify data sent by MPU at D0 to D7
5	P/S	Switch between parallel and serial interface
6	WRB	Connect RDB signal or read/write control signal
7	RDB	Connect RDB signal or connect enable clock E signal
8	DB0	Data bus
9	DB1	
10	DB2	
11	DB3	
12	DB4	
13	DB5	
14	DB6	
15	DB7	
16	VDD	Power supply voltage
17	SCL	Data transfer clock pin
18	SDA	Serial data input pin
19	A	Back-light
20	K	Back-light

NOTE:

- ALL DIMENSION ARE IN mm
- GLASS THICKNESS:
FRONT -- 0.70
BACK -- 0.70
- VIEWING ANGLE: 6 O'CLOCK
- FLUID SPECIFICATION:
MULTIPLEX LEVEL -- 1/64 DUTY 1/9 BIAS
DRIVING VOLTAGE -- VDD=3.0V VLCD=12V
OPERATING TEMPERATURE: -10°C TO 50°C
STORAGE TEMPERATURE: -20°C TO 70°C
- FSTN AND TRANSFLECTIVE MODE
- CONNECTOR: FPC