



ITM-TOUCHPANEL

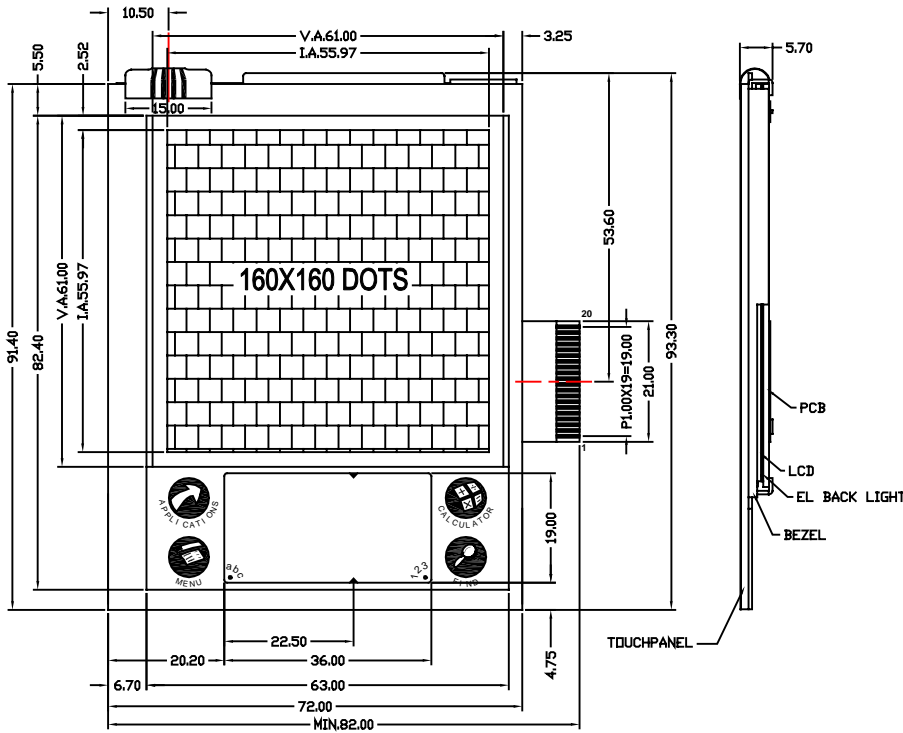
INTECH LCD (SHEN ZHEN) CO.,LTD

VER A0 FILE NO IT-III-ED-004

REV.NO 01 SHEET 1 OF 1

DATE 2000-03-04

① EXTERNAL DIMENSION



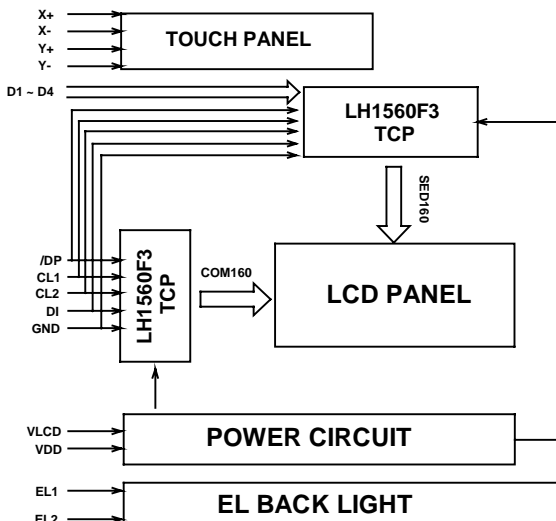
NOTE:

1. GLASS THICKNESS:
FRONT -- 0.70
BACK -- 0.70
2. VIEWING ANGLE: 6 O'CLOCK
3. FLUID SPECIFICATION:
MULTIPLY LEVEL -- 1/160 DUTY 1/13 BIAS
DRIVING VOLTAGE -- 18 V
OPERATING TEMPERATURE: 0°C TO 50°C
STORAGE TEMPERATURE: -20°C TO 70°C
4. FSTN AND TRANSLUCENT
5. DISPLAY COLOR: BLACK
BACKGROUND COLOR: GRAY
6. TCP IC DRIVE

② MECHANICAL DATA

ITEM	SPECIFICATION	UNIT
Module Size (W X H X T)	93.30 X 82.00 X 5.70	mm
Viewing Area (W X H)	61.00 X 61.00	mm
Internal Area (W X H)	55.97 X 55.97	mm
Dot Pitch (W X H)	0.35 X 0.35	mm
Dot Size (W X H)	0.32 X 0.32	mm
Number of Dots	160 X 160	dots

④ BLOCK DIAGRAM



③ PIN CONFIGURATION

ITEM	SYMBOL	DESCRIPTION
1	EL2	EL Back Light
2	EL1	
3	GND	Ground
4	DI	Input data of shift register
5	CL1	Latch pulse input/shift clock input for shift register
6	CL2	Display data shift clock input for segment mode
7	/DP	Control input for deselect output level
8	VDD	Power supply for logic system(+2.5 to +5.5V)
9	GND	Ground
10	VLCD	Power Supply Voltage for LCD
11	D1	Display Data Signal
12	D2	
13	D3	
14	D4	
15	GND	Ground
16	GND	Ground
17	X+	Interface of TOUCHPANEL
18	X-	
19	Y+	
20	Y-	

⑤ ABSOLUTE MAXIMUM RATINGS (25°C)

PARAMETER	SYMBOL	Standard Value	UNIT
Power Supply Voltage	VDD	5.0	V
LCD Driving Voltage	VLCD	18.0	V
Input Voltage	VIN	VSS<=VIN<=VDD	V