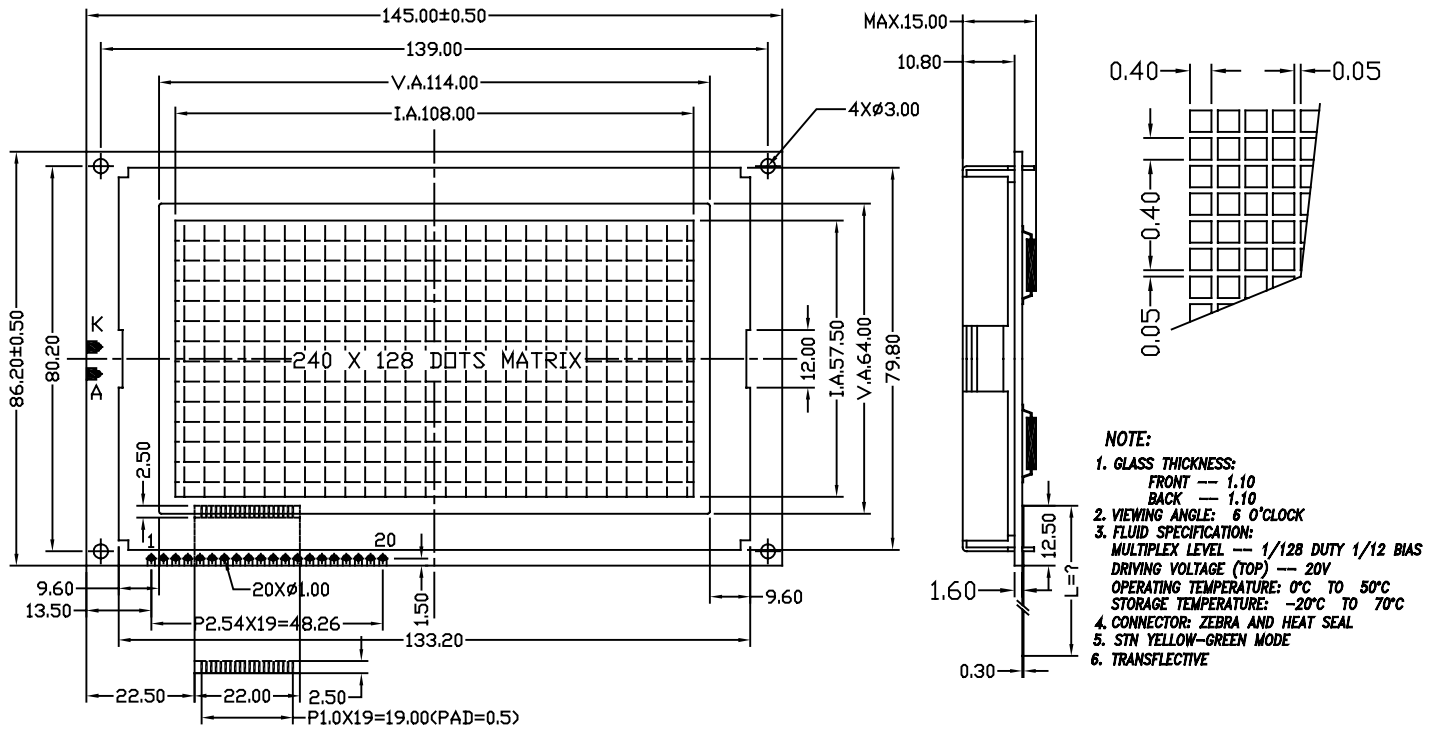


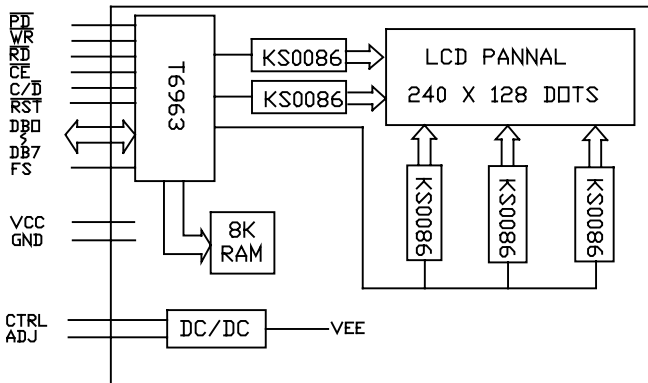
① EXTERNAL DIMENSION



② MECHANICAL DATA

ITEM	SPECIFICATION	UNIT
Module Size (W X H X T)	145.0 X 86.2 X 15.0	mm
Internal Area (W X H)	108.0 X 57.5	mm
Viewing Area (W X H)	114.0 X 64.0	mm
Number of Dots (W X H)	240 X 128	dots
Dot Pitch (W X H)	0.45 X 0.45	mm
Dot Size (W X H)	0.40 X 0.40	mm
Weight	165.0	g

④ BLOCK DIAGRAM



③ PIN CONFIGURATION

ITEM	SYMBOL	DESCRIPTION
1	ADJ	adjust contrast (1)
2	CTRL	adjust contrast (2)
3	\overline{PD}	Power down
4	GND	0V(GND).
5	VCC	Power supply for logic circuit and LCD.
6	VEE	Power supply for LCD drive circuit .
7	\overline{WR}	Data write. Write data into T6963C when WR = L .
8	\overline{RD}	Data read. Write data from T6963C when RD = L .
9	\overline{CE}	CE must be L when CPU communicates with T6963C.
10	C/D	WR = L RD=L C/D = H : Command Write C/D=H: Satus Read C/D = L : Data Write C/D=L: Data Read
11	\overline{RST}	When RST = H Normal (T6963C has internal pull-up resistor). When RST = L Initialize T6963C. Text and graphic have address and text and graphic area settings are retained.
12-19	DB0-DB7	Data I/O pins for display memory.
20	FS	Pins for selection of font When FS = H, 6*8 dots font When FS = L, 8*8 dots font

⑤ ABSOLUTE MAXIMUM RATINGS (25°C)

PARAMETER	SYMBOL	MIN.	MAX.	UNIT
Supply Voltage Logic	V _{DD}	-0.3	7.0	V
Supply Voltage Driver	V _{EE}	0	+30	V
Input Voltage	V _{IN}	-0.3	V _{DD} +0.3	V