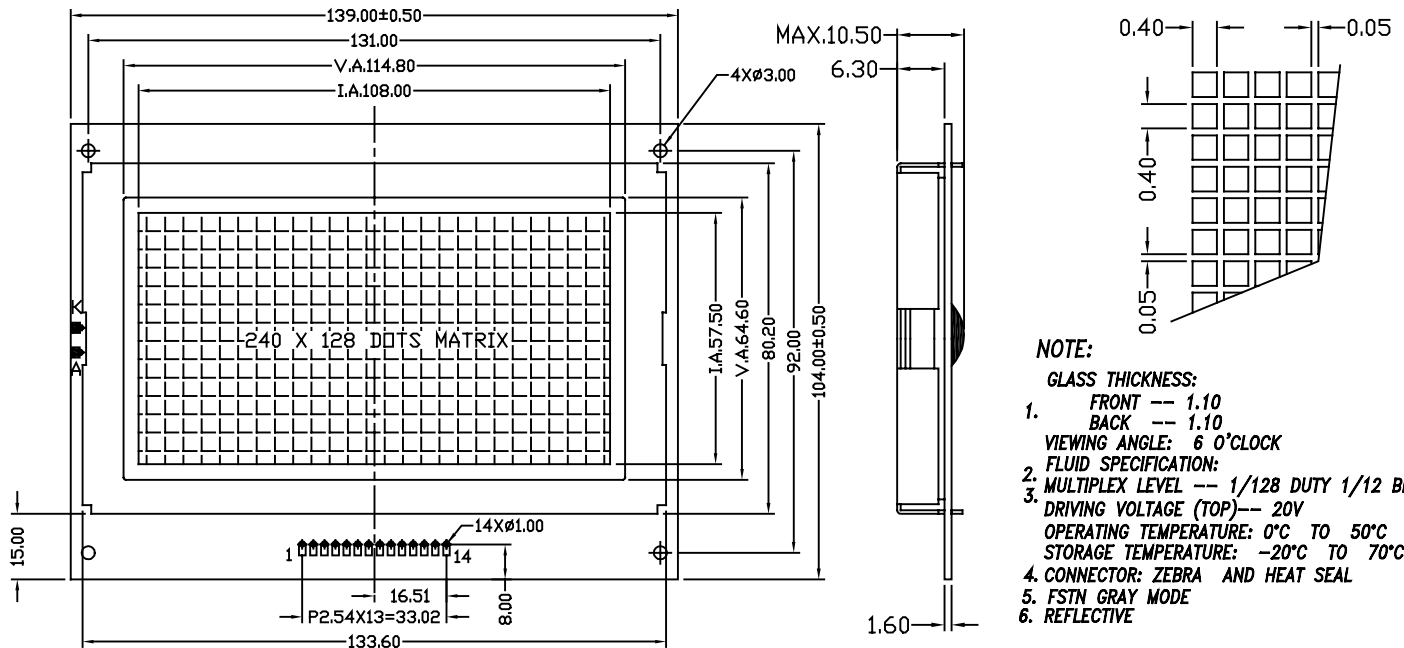


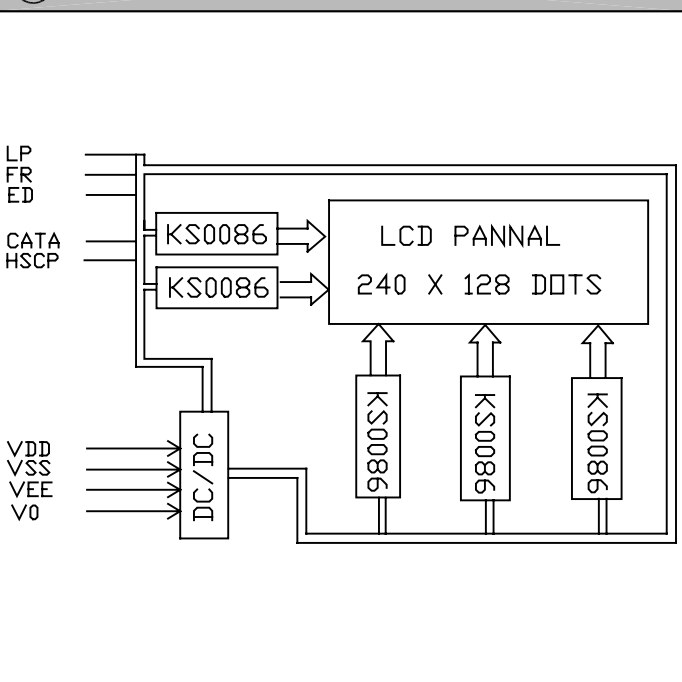
① EXTERNAL DIMENSION



② MECHANICAL DATA

ITEM	SPECIFICATION	UNIT
Module Size (W X H X T)	139.0 X 104.0 X 10.5	mm
Viewing Area (W X H)	114.8 X 64.6	mm
Number of Dots (W X H)	240 X 128	dots
Dot Pitch (W X H)	0.45 X 0.45	mm
Dot Size (W X H)	0.40 X 0.40	mm
Weight	165.0	g

④ BLOCK DIAGRAM



③ PIN CONFIGURATION

ITEM	SYMBOL	DESCRIPTION
1	VDD	Power supply for logic circuit and LCD.
2	VSS	0V(GND).
3	VEE	Supply Voltage LCD Driver
4	V0	Power supply for LCD drive circuit.
5	LP	Latch pulse for column driver. Shift clock pulse for row driver
6	HSCP	Shift clock pulse for column driver of upper area of LCD
7	FR	Frame signal
8	CATA	Synchronous signal for row driver
9	ED	SDSEL=H : Data output for even columns in both upper and lower areas of LCD SDSEL = L : Data output for columns in both upper and lower area of LCD
10	NC	NO Connection
11	NC	NO Connection
12	NC	NO Connection
13	A	Back-light +
14	K	Back-light -

⑤ ABSOLUTE MAXIMUM RATINGS (25°C)

PARAMETER	SYMBOL	MIN.	MAX.	UNIT
Supply Voltage Logic	V _{DD}	-0.3	7.0	V
Supply Voltage Driver	V _{EE}	0	+30	V
Input Voltage	V _{IN}	-0.3	V _{DD} +0.3	V