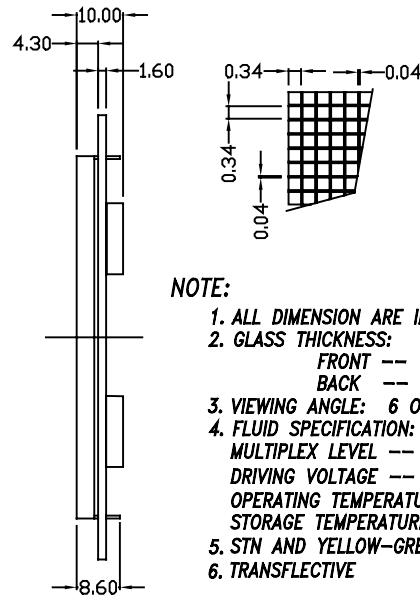
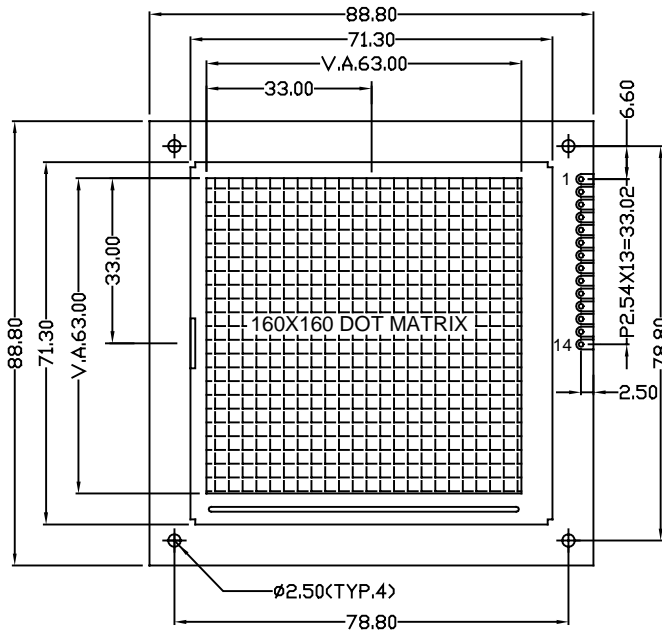


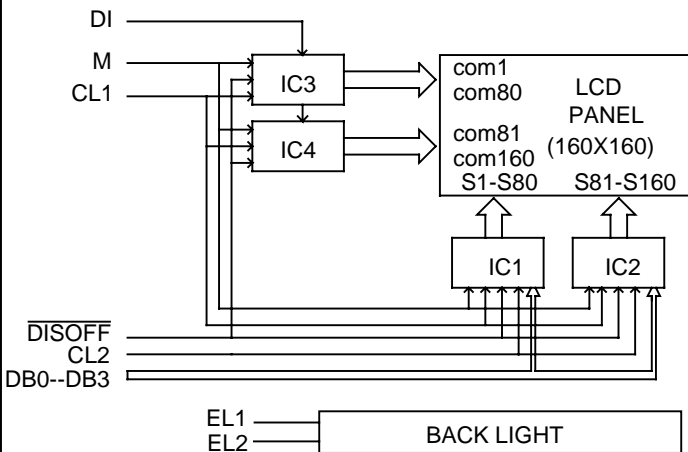
① EXTERNAL DIMENSION



② MECHANICAL DATA

ITEM	SPECIFICATION	UNIT
Module Size (W X H X T)	88.80 X 88.80 X 10.00	mm
Module Size With B/L (W X H X T)	88.80 X 88.80 X 10.00	mm
Viewing Area (W X H)	63.00 X 63.00	mm
Number of Dots (W X H)	160 X 160	dots
Dot Pitch (W X H)	0.38 X 0.38	mm
Dot Size (W X H)	0.34 X 0.34	mm
Weight	57.00	g

④ BLOCK DIAGRAM



③ PIN CONFIGURATION

ITEM	SYMBOL	DESCRIPTION
1	VSS	GND (0V)
2	VDD	Power Supply (5V)
3	VEE	Supply Voltage LCD Driver
4	CL1	Column driver data latch signal.
5	CL2	In column driver operation, used as a display data latch signal
6	DB1	Display data bit1 H : ON, L : OFF
7	DB2	Display data bit2 H : ON, L : OFF
8	DB3	Display data bit3 H : ON, L : OFF
9	DB4	Display data bit4 H : ON, L : OFF
10	DISPOFF	Display enable signal . H : ON, L : OFF
11	M	AC conversion signal for liquid crystal display drive output.
12	DI	The DI Signal Indicate, The Beginning Of Each Display Cycle.
13	EL1	EL Back-light .
14	EL2	EL Back-light .

⑤ ABSOLUTE MAXIMUM RATINGS(25°C)

PARAMETER	SYMBOL	MIN.	MAX.	UNIT
Supply Voltage Logic	VDD	-0.3	7.0	V
Supply Voltage Driver	VEE	0	30	V
Input Voltage	VI	-0.3	VDD+0.3	V