



ITM-12864CSTL

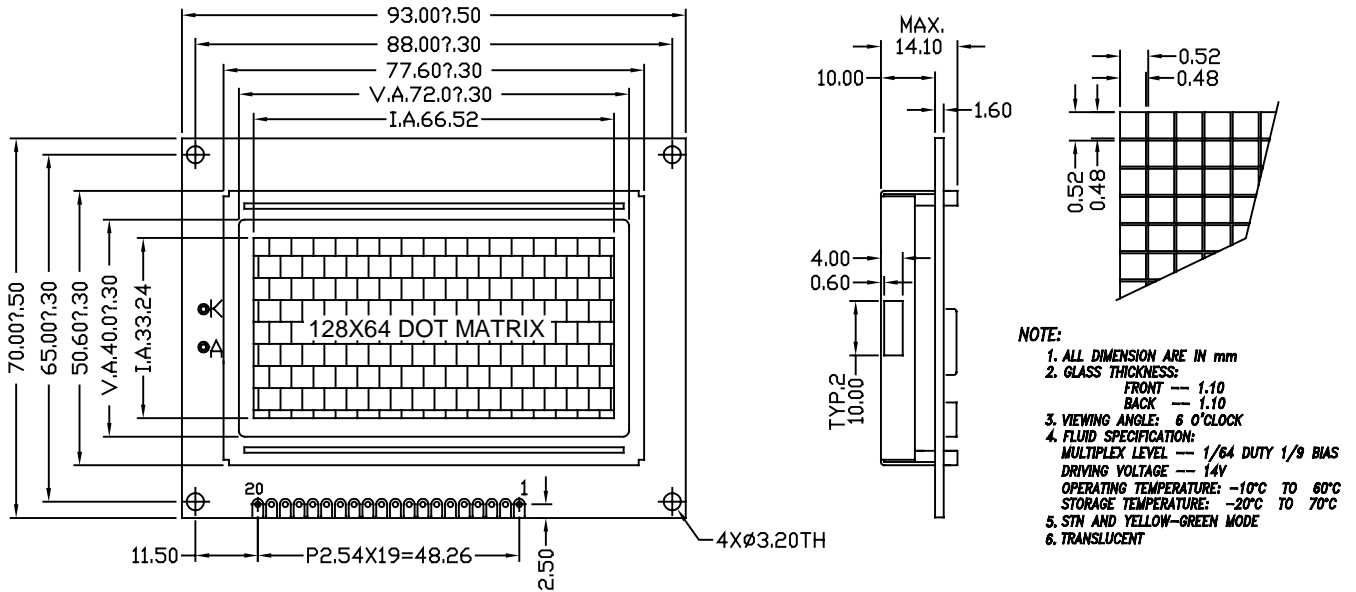
INTECH LCD (SHEN ZHEN) CO.,LTD

VER A0 FILE NO IT-III-ED-004

REV.NO 01 SHEET OF

DATE 1999-07-28

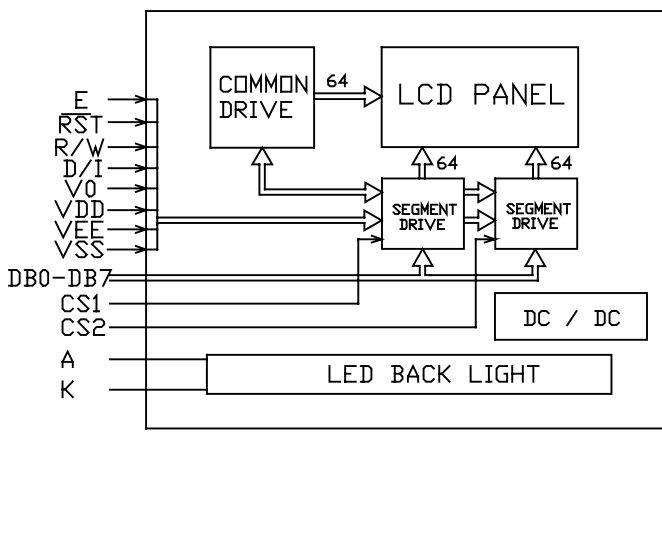
① EXTERNAL DIMENSION



② MECHANICAL DATA

ITEM	SPECIFICATION	UNIT
Module Size (W X H X T)	93.00 X 70.00 X 14.10 (LED)	mm
Viewing Area (W X H)	72.00 X 40.00	mm
Internal Area (W X H)	66.52 X 33.24	mm
Dot Pitch (W X H)	0.52 X 0.52	mm
Dot Size (W X H)	0.48 X 0.48	mm
Number of Dots(W X H)	128 x 64	dots

④ BLOCK DIAGRAM



③ PIN CONFIGURATION

ITEM	SYMBOL	DESCRIPTION
1	VSS	Ground
2	VDD	Power Supply for Logic
3	V0	Operating Voltage for LCD(Variable)
4	D/I	Signal to select registers
5	R/W	Read/Write Select Signal
6	E	Read/Write Enable Signal
7	DB0	Display Data Signal
8	DB1	
9	DB2	
10	DB3	
11	DB4	
12	DB5	
13	DB6	
14	DB7	
15	CS1	Chip Select Signal IC 1
16	CS2	Chip Select Signal IC 2
17	RST	Reset Signal
18	VEE	Power Supply Voltage for LCD
19	A	Anode of LED
20	K	Cathode of LED

⑤ ABSOLUTE MAXIMUM RATINGS(25°C)

PARAMETER	SYMBOL	Standard Value	UNIT
Power Supply Voltage	VDD-VSS	-0.3 ~ +7.0	V
LCD Driving Voltage	VDD-VLCD	VEE-0.3 ~ VDD+0.3	V
Input Voltage	VIN	-0.3 ~VDD+0.3	V