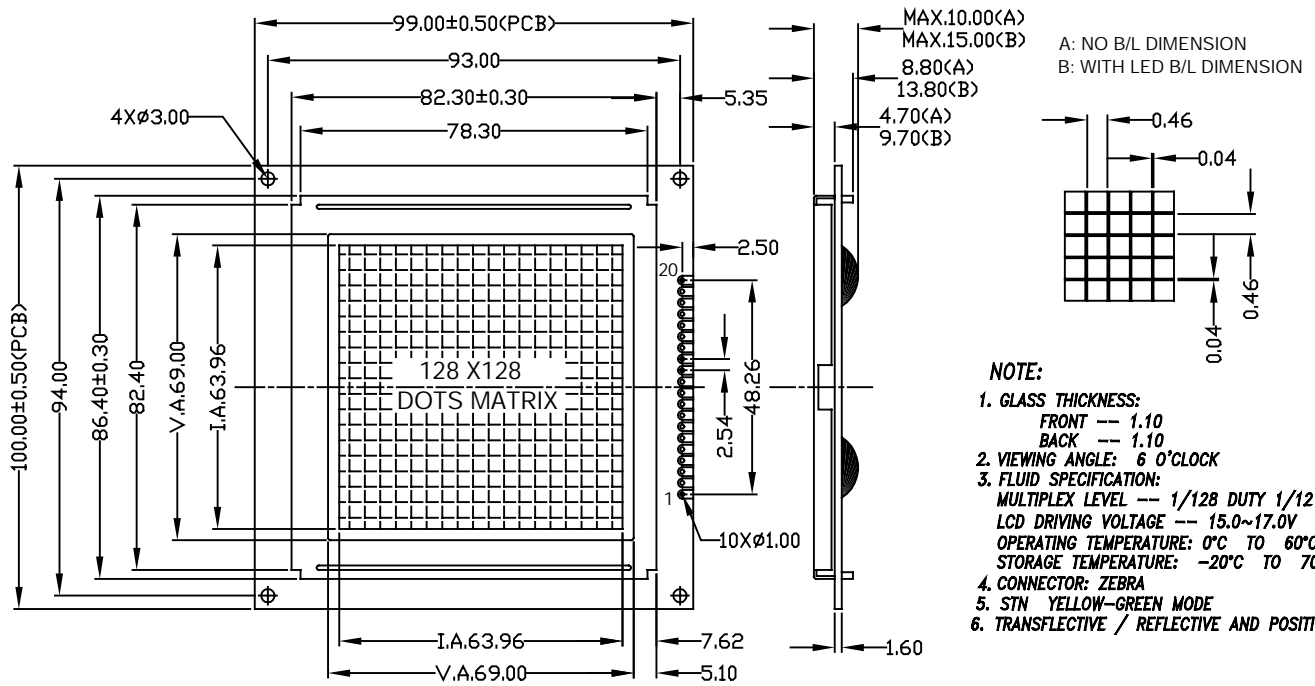


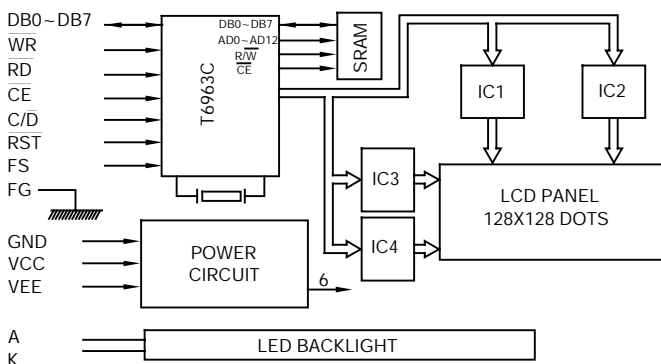
## ① EXTERNAL DIMENSION



## ② MECHANICAL DATA

ITEM	SPECIFICATION	UNIT
Module Size ( W X H X T )	99.0 X 100.0 X 10.0	mm
Module Size With LED B/L ( W X H X T )	99.0 X 100.0 X 15.0	mm
Viewing Area ( W X H )	69.0 X 69.0	mm
Internal Area ( W X H )	63.96 X 63.96	mm
Dot Pitch ( W X H )	0.50 X 0.50	mm
Dot Size ( W X H )	0.46 X 0.46	mm
Dots of Number	128 X 128	Dots

## ④ BLOCK DIAGRAM



## ③ PIN CONFIGURATION

ITEM	SYMBOL	DESCRIPTION
1	FG	Frame ground
2	GND	0V(GND)
3	VCC	Supply Voltage for Logic And LCD
4	VEE	Bias voltage level for LCD driving
5	WR	Write signal
6	RD	Read signal
7	CE	chip select signal
8	C/D	H: Instruction code L: data
9	RST	Reset signal
10	FS	Font select signal
11	DB0	Data signal
12	DB1	
13	DB2	
14	DB3	
15	DB4	
16	DB5	
17	DB6	
18	DB7	
19	A	LED Backlight +
20	K	LED backlight -

## ⑤ ABSOLUTE MAXIMUM RATINGS(25°C)

PARAMETER	SYMBOL	MIN.	MAX.	UNIT
Supply Voltage Logic	VDD	0	6.0	V
Supply Voltage Driver	V <sub>LCD</sub>	0	28	V
Input Voltage	V <sub>i</sub>	0	VDD	V