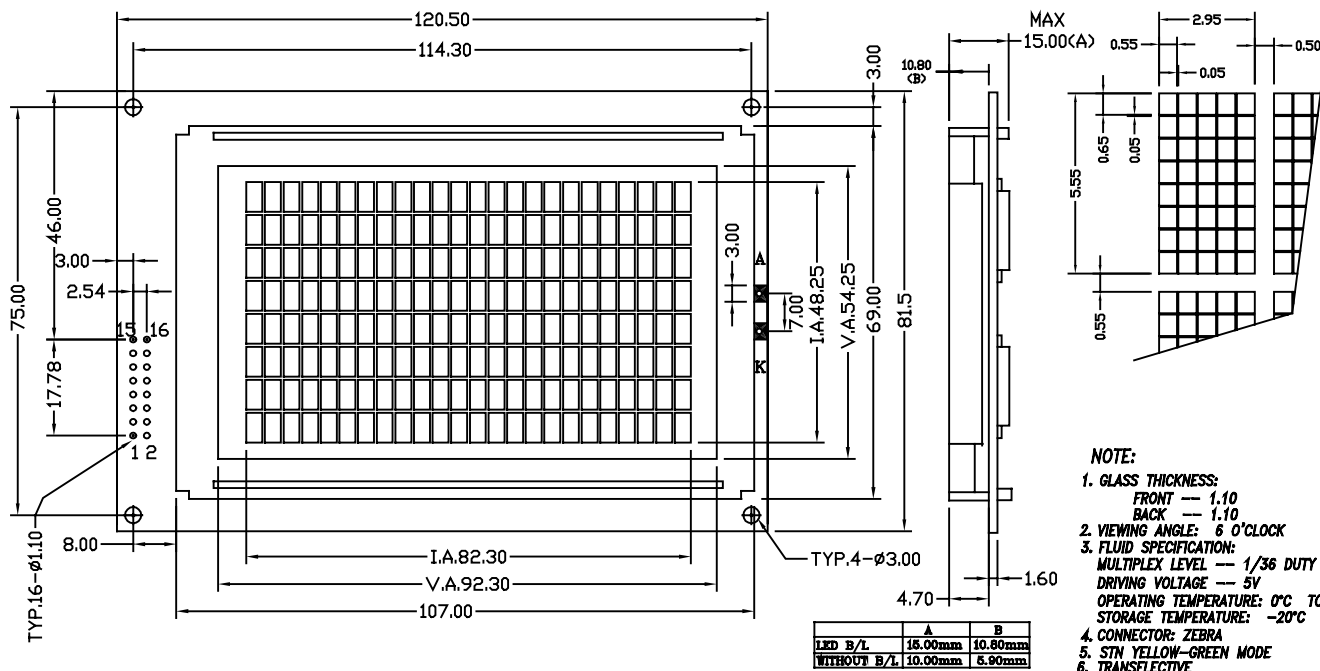


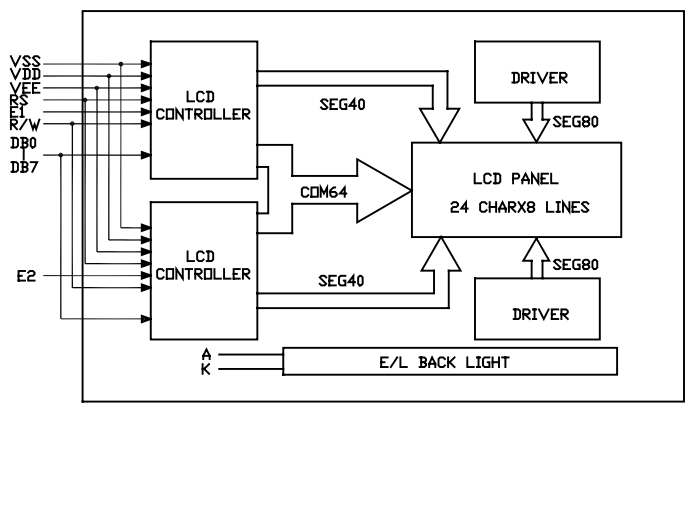
① EXTERNAL DIMENSION



② MECHANICAL DATA

ITEM	SPECIFICATION	UNIT
Module Size (W X H X T)	120.5 x 81.5 x 15.0	mm
Viewing Area (W X H)	92.3 x 54.25	mm
Number of Character	24 Character x 8 Line	Char
Dot Pitch (W X H)	0.70 x 0.60	mm
Dot Size (W X H)	0.65 x 0.55	mm
Character Pith (WXH)	6.10 x 3.45	mm
Character Size (W X H)	5.55 x 2.95	mm

④ BLOCK DIAGRAM



③ PIN CONFIGURATION

ITEM	SYMBOL	LEVEL	DESCRIPTION
1	VSS	L	Power GND
2	VDD	H	Power Positive
3	VEE	L	Voltage For LCD PANEL Drive
4	RS	H/L	Register Select
5	R/W	H/L	Read/Write Select
6	E1	H/L	Chip1 Read/Write Enable
7	E2	H/L	Chip2 Read/Write Enable
8	DB0	H/L	Data Bus
9	DB1	H/L	
10	DB2	H/L	
11	DB3	H/L	
12	DB4	H/L	
13	DB5	H/L	
14	DB6	H/L	
15	DB7	H/L	
16	NC		No connection

⑤ ABSOLUTE MAXIMUM RATINGS(25°C)

PARAMETER	SYMBOL	MIN.	MAX.	UNIT
Supply Voltage Logic	V _{DD}	-0.3	+7.0	V
Supply Voltage Driver	V _{LCD}	V _{DD} -13.5	V _{DD} +0.3	V
Input Voltage	V _{IN}	-0.3	V _{DD} +0.3	V