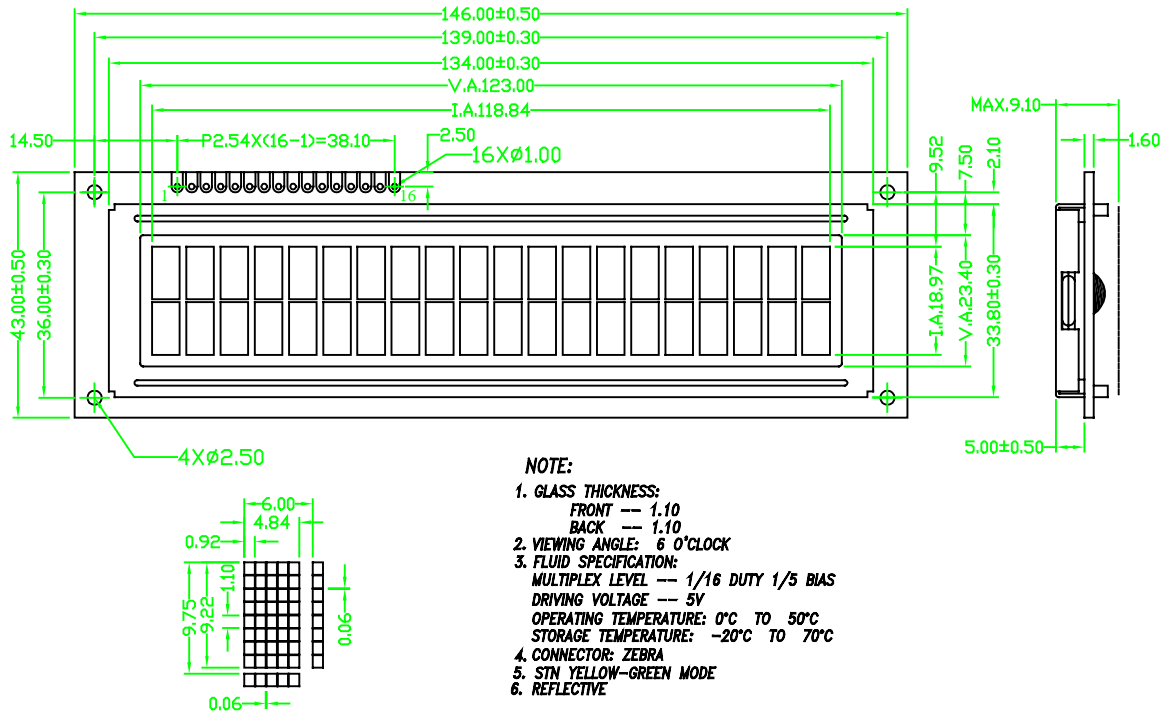


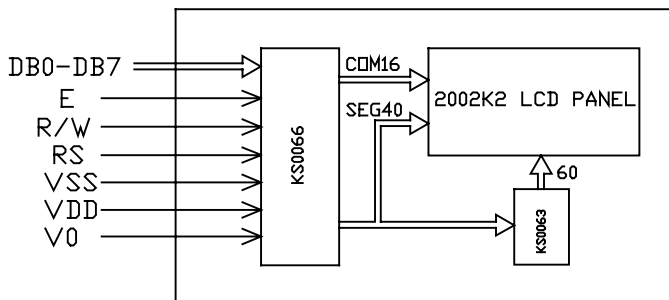
① EXTERNAL DIMENSION



② MECHANICAL DATA

ITEM	SPECIFICATION	UNIT
Module Size (W X H X T)	146.00 X 43.00 X 9.10	mm
Viewing Area (W X H)	123.00 X 23.00	mm
Internal Area (W X H)	118.84 X 18.97	mm
Dot Pitch (W X H)	0.98 X 1.16	mm
Dot Size (W X H)	0.92 X 1.10	mm
Character Pitch (W X H)	6.00 X 9.75	mm
Character Size (W X H)	4.84 X 9.22	mm
Character Number	20 X 2	Chars

④ BLOCK DIAGRAM



③ PIN CONFIGURATION

ITEM	SYMBOL	DESCRIPTION
1	VSS	0V(GND)
2	VDD	Operating Voltage for logical circuit(+5V±10%)
3	V0	Bias voltage level for LCD driving
4	RS	Register selection input
5	R/W	R/W signal input is used to select the read/write mode
6	E	Start enable signal to read or write the data
7	DB0	Used for data transfer between the MPU and KS0066. These terminals are for data bus with bidirectional three-state. Initial 4 bit(DB0-DB3) are not used during 4 bit operation (DB7 can be used as a busy flag)
8	DB1	
9	DB2	
10	DB3	
11	DB4	
12	DB5	
13	DB6	
14	DB7	
15	LED+	No connection
16	LED-	No connection

⑤ ABSOLUTE MAXIMUM RATINGS(25°C)

PARAMETER	SYMBOL	MIN.	MAX.	UNIT
Supply Voltage Logic	VDD	-0.3	7.0	V
Supply Voltage Driver	V _{Lcd}	VDD-15.0	VDD+0.3	V
Input Voltage	V _i	-0.3	VDD+0.3	V
Operating Temperature	T _{opr}	0	50	°C
Storage Temperature	T _{stg}	-20	70	°C